

BU-18Neo(Cone)

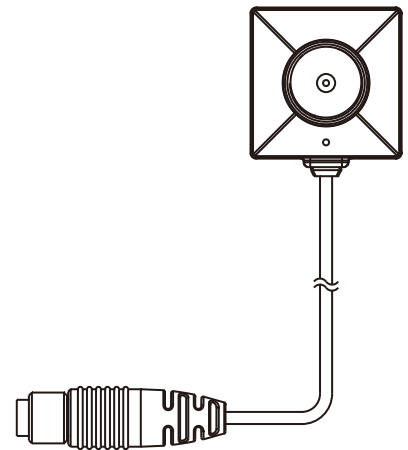
Brand New Locking Din Plug
Full HD Button Camera
2 Mega Pixel Sensor



Feature

- Brand new locking din plug to ensure firm connection
- 2.2MP CMOS pinhole button camera
- 1080p, 0.1 Lux @ F2.0 (50IRE) great low-light sensitivity
- Self-contained invisible microphone, single cable design
- Adopts lightweight, ultra-thin design cables
- 78 degrees of view angel
- Provides flexibility to disguise
- Low cost while with high performance solution
- Compatible with PV-500Neo & PV-500Neo Pro

Product Sketch



Specification

Item Number	BU-18Neo(Cone)
Image Sensor	1/2.9" Progressive CMOS Sensor
Pixel Size	2.8um(H)x2.8um(V)
Resolution	1920(H)x1080(V)
Low Light Sensitivity	0.1 LUX @ F2.0
Lens F/No	F2.0
Angle of View	78 Degree
Depth of View	50 cm ~ ∞
Electronic Shutter	1/8~1/30,000
Video Output	12C Data
Power Supply Current	220 mA
MIC Sensitivity	Yes
Operating Temperature	-10 degrees ~ 60 degrees
Operating Humidity	20 ~ 90%
Power Supply Voltage	DC3.3V+/-0.5V
Dimension	25(W)x25(H)x17(L) mm
Weight	22g

Optional Accessories



PV-500Neo
(Wi-Fi DVR)



PV-500Neo Pro
(Wi-Fi DVR with screen)

※ This product is for Law Enforcement and Home Security Use Only!

*Specifications are subject to change without prior notice.

CE/FCC Certified

LawMate

LawMate International Law Enforcement & Security Products Manufacturer

Web: www.lawmate.com

Email: sales@lawmate.com.tw

TEL: +886-2-8797-5728

FAX: +886-2-8797-5727