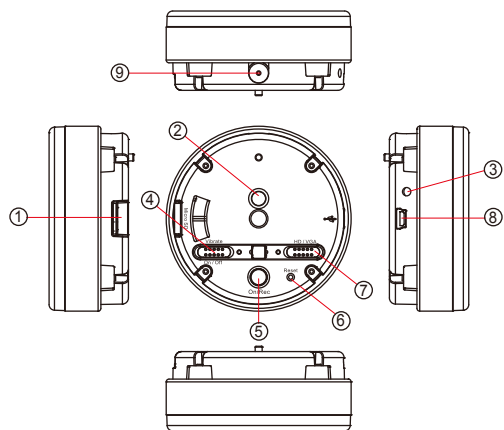


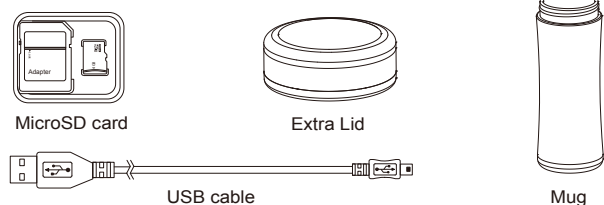
1. Names and Parts



- | | | |
|---------------------|-----------------------------------|--------------------|
| 1. Memory Card Slot | 4. Vibration On/Off | 7. HD / VGA Switch |
| 2. Format Button | 5. Power On/Off & Rec/Stop Button | 8. USB Socket |
| 3. Microphone* | 6. Reset Button | 9. CMOS Lens |

*No Microphones are available for USA territory.

2. Package Content

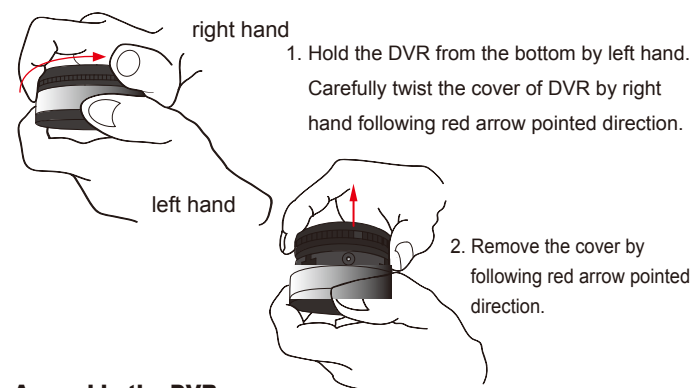


WARNING: DO NOT FILL THE MUG WITH HOT WATER.

1

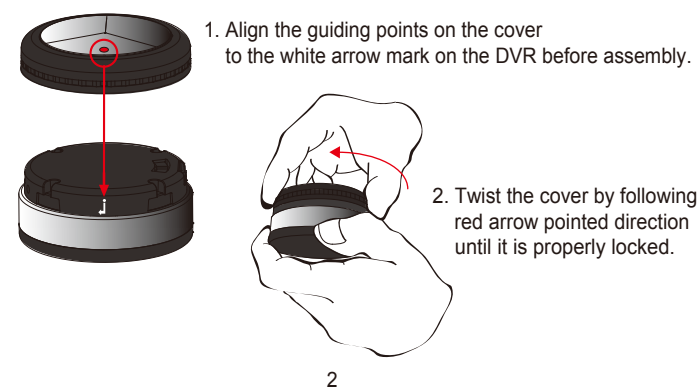
3. Assemble & disassemble DVR Cover

Disassemble the DVR cover



Assemble the DVR cover

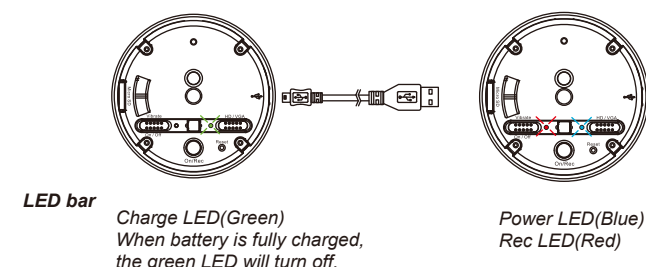
Warning! Follow instructions below to avoid lens damage.



2

4. Charge Battery

Connect to PC via USB cable

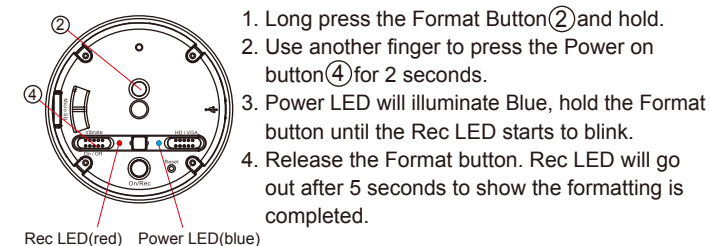


LED bar
Charge LED(Green)
When battery is fully charged,
the green LED will turn off.

Power LED(Blue)
Rec LED(Red)

1. Remove the cover from the DVR and connect the supplied USB cable into the device.
2. Plug the USB cable to a PC, the green Charge LED of the device will illuminate to show the charging is in process.
3. Green LED will turn off when the battery is fully charged.

5. Format Memory Card



Rec LED(red) Power LED(blue)

1. Long press the Format Button(2) and hold.
2. Use another finger to press the Power on button(4) for 2 seconds.
3. Power LED will illuminate Blue, hold the Format button until the Rec LED starts to blink.
4. Release the Format button. Rec LED will go out after 5 seconds to show the formatting is completed.

3

6. Retrieve Files from DVR

There are two ways to download video/photo files.

1. Use memory card reader to download video/photo files.
2. With the device powered on and memory card inserted, connect the device to PC by USB cable. It will be recognized by PC as an external drive for user to retrieve the files.

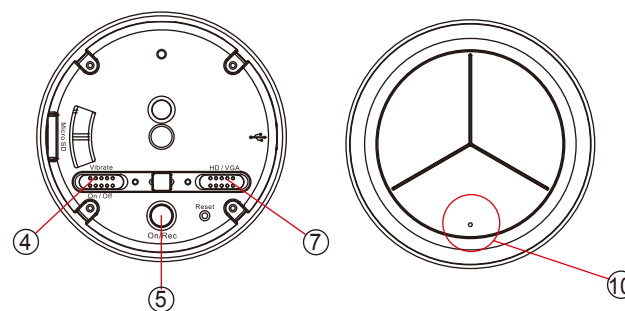
7. Date and time setting (for Windows computer)

1. Right-click on Windows desktop. Choose Notepad to create a *.txt (text) file.
2. Open the txt file. If current time is January 16, 2013 15:00. Enter date and time information as 2013.01.16 15:00:00. Note that a space must be present in between date and time in 24-hour format.
3. Name the file as settime.txt and save it to the root directory of the memory card.
4. Insert the memory card to the slot then power on the device. The date and time setting is now completed.
5. Please note when the date and time information is successfully set up, the settime.txt file should not be visible when the device is connected to computer the next time.

4

8. Operation

Please note, memory card needs to be formatted on the device for the unit to recognize it. Formatting memory cards using a PC is not recommended and may result in recording failure.



8.1 Instant recording

- A. When the DVR is covered, press the dot area (10) marked on the cover. DVR will power on and start to record automatically. Long press the dot to stop recording and turn off the DVR.
- B. Operation is the same when using the Power/Rec button (5) directly.

8.2 Vibration On/Off

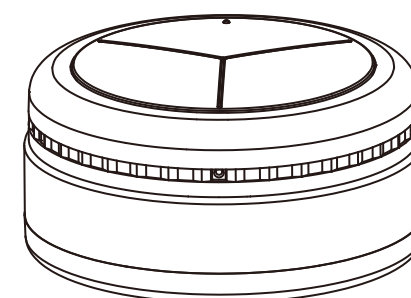
- A. Switch (4) to On/Off to activate/deactivate vibration mode.

8.3 Resolution HD/VGA

- A. Switch (7) to VGA to choose video resolution 640x480.
- B. Switch (7) to HD to choose video resolution 1280x720.

5

PV-LD12 720P Mug Lid DVR Quick Guide



LawMate, innovation never stops

LawMate[®]